



Head Office
PO Box 2199
Drumheller, AB
T0J 0Y0
Ph: (403) 823 6252
Fax: (403) 823-7310

Branch:
1645 Enterprise Rd
Mississauga, ON
L4W 4L4
Ph: (905) 670-3000
Fax: (670-3003

Branch:
842 - 56 St E
Saskatoon, SK
S7K 5Y8
Ph: (306) 931-1122
Fax: (306)934-7078

Branch:
Unit 2, 27533-50th Ave
Langley, BC
V4W 0A2
Ph: (604) 856-8277
Fax: (604) 856-8272

Branch:
1310 E. Birch Street
Kankakee, IL
60901
Ph: (815) 933-3500
Fax: (815) 933-4500

INLAND PLASTICS LTD. MANUFACTURER AND DISTRIBUTOR

**WARRANTY ON LINERS
MANUFACTURED
BY
INLAND PLASTICS LTD.**

We certify that the heat sealed seam adhesion is equal to the coating on the P.E. fabric.

The P.E. fabric specifications are available with each liner purchased.

Any liner returned must have a Return Authorization number from the nearest Inland Plastics Ltd. Branch complete with return routing instructions. Return freight will be prepaid by the customer but will be refunded if the warranty is valid.

If a warranty claim is approved, Inland Plastics Ltd. has the right to ascertain whether they will replace or repair the liner material only.

In any case, Inland Plastic's liability is limited to the cost of the material and the labor of the liner for the period of one year from purchase date only.



Head Office
PO Box 2199
Drumheller, AB
T0J 0Y0
Ph: (403) 823 6252
Fax: (403) 823-7310

Branch:
1645 Enterprise Rd
Mississauga, ON
L4W 4L4
Ph: (905) 670-3000
Fax: (670)-3003

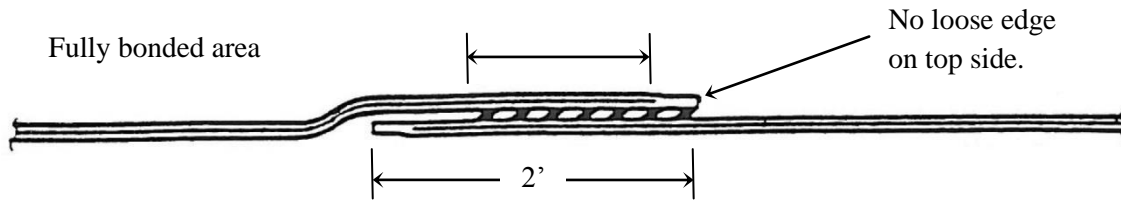
Branch:
842 - 56 St E
Saskatoon, SK
S7K 5Y8
Ph: (306) 931-1122
Fax: (306)934-7078

Branch:
Unit 2, 27533-50th Ave
Langley, BC
V4W 0A2
Ph: (604) 856-8277
Fax: (604) 856-8272

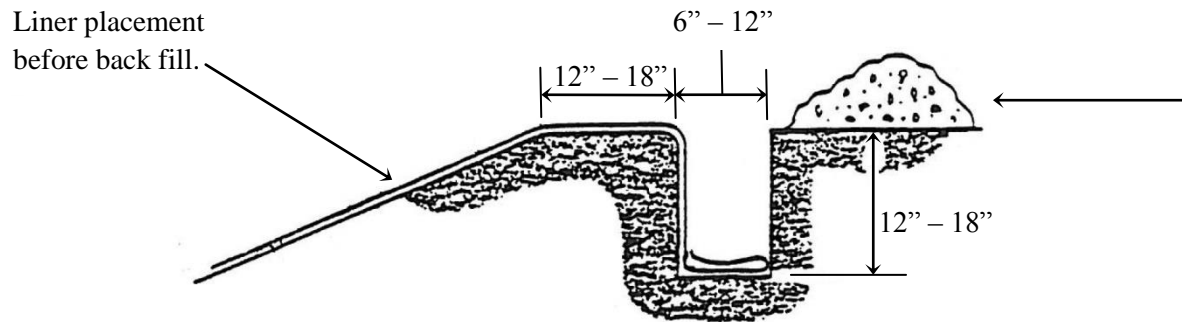
Branch:
1310 E. Birch Street
Kankakee, IL
60901
Ph: (815) 933-3500
Fax: (815) 933-4500

INLAND PLASTICS LTD. MANUFACTURER AND DISTRIBUTOR

FIELD



ANCHOR TRENCH FOR EARTHEN INSTALLATION



Store trench material away from pond for use as backfill when liner is in place. Allow sufficient liner material from berm crest edge for anchoring (typically 3' to 5').



Head Office
 PO Box 2199
 Drumheller, AB
 T0J 0Y0
 Ph: (403) 823 6252
 Fax: (403) 823-7310

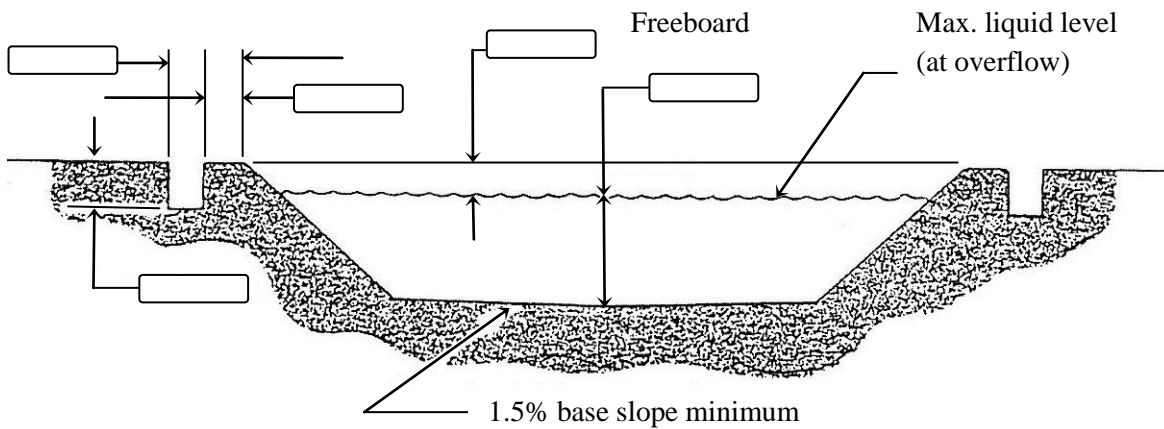
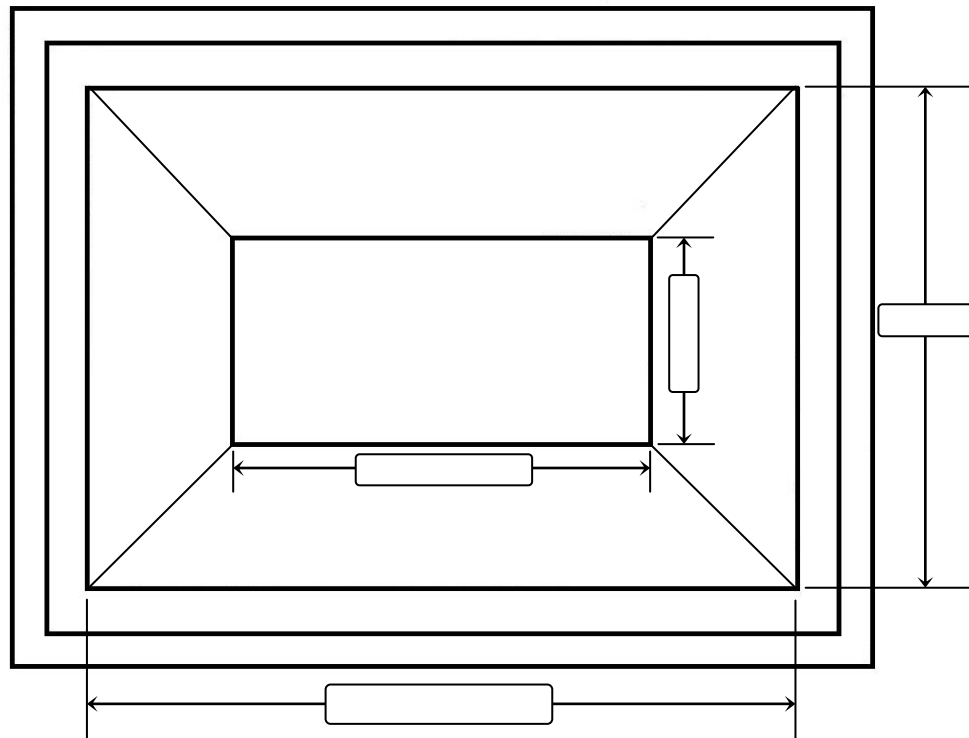
Branch:
 1645 Enterprise Rd
 Mississauga, ON
 L4W 4L4
 Ph: (905) 670-3000
 Fax: (670)-3003

Branch:
 842 - 56 St E
 Saskatoon, SK
 S7K 5Y8
 Ph: (306) 931-1122
 Fax: (306)934-7078

Branch:
 Unit 2, 27533-50th Ave
 Langley, BC
 V4W 0A2
 Ph: (604) 856-8277
 Fax: (604) 856-8272

Branch:
 1310 E. Birch Street
 Kankakee, IL
 60901
 Ph: (815) 933-3500
 Fax: (815) 933-4500

INLAND PLASTICS LTD. MANUFACTURER AND DISTRIBUTOR



= Insert appropriate dimensions

**Pond Liner planning guide
 for slope sided ponds**



Head Office
PO Box 2199
Drumheller, AB
T0J 0Y0
Ph: (403) 823 6252
Fax: (403) 823-7310

Branch:
1645 Enterprise Rd
Mississauga, ON
L4W 4L4
Ph: (905) 670-3000
Fax: (670-3003

Branch:
842 - 56 St E
Saskatoon, SK
S7K 5Y8
Ph: (306) 931-1122
Fax: (306)934-7078

Branch:
Unit 2, 27533-50th Ave
Langley, BC
V4W 0A2
Ph: (604) 856-8277
Fax: (604) 856-8272

Branch:
1310 E. Birch Street
Kankakee, IL
60901
Ph: (815) 933-3500
Fax: (815) 933-4500

INLAND PLASTICS LTD. MANUFACTURER AND DISTRIBUTOR

Suggested Liner Placement Procedures

Installation procedures vary; however, the following list constitutes our suggested procedures.

- 1) The canal bed should be smooth and even prior to liner placement.
- 2) The liner should be laid loosely over the canal bed to allow proper molding over uneven area.
- 3) The sides of the liner should not be heavily affixed to the bank sides before backfilling the center section. This allows any material needs in the center to be met by the outer area of the liner.
- 4) Fill should be a quality that reduces changes of punctures and the minimum cover should be 2'.
- 5) Do not let the wind get under the liner on windy days.
- 6) A 2:1 slope is recommended for the excavation prior to liner placement.
- 7) Fill can be a 3:1 slope so that there is less chance of liner exposure due to material washing and sliding.
- 8) In certain soil and wind conditions armor is suggested especially on sides where there is maximum wave action.

FEDERAL SALES TAX **FARM DUGOUT LINERS**

The F.S.T. department has ruled that liners are not exempt by virtue of their use.