

***Multi-Purpose Plus
Garage
Building Instructions***

***Manufactured by: Inland Plastics Inc
403.823.6252***

TOOLS REQUIRED:

Reversible Power Drill
Phillips Head Driver Bit
Step Ladder (need to reach approx. 9')
Tape Measure
Level
Large Hammer

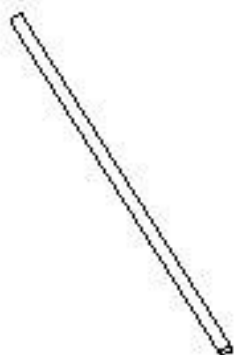
MULTIPURPOSE PLUS PARTS

Part #	Description of Part	Description	26.5'	Packing
FRAME TUBES				
1	Frame Tube	77.2"	22	
2	Frame Tube	59.6"	10	
3	3 Way Connector		6	
4	4 Way Connector		9	
5	Center Baseplate	5"	6	
6	Corner Left Baseplate	8"	2	
7	Corner Right Baseplate	8"	2	
8	Awning Pole w/ Tip	80" X 1"	8	
9	Awning Pole w/o Tip	80" X 1"	2	
HARDWARE BAG				
10	Ball Bungee	8"	69	
11	Cable Ties		4	
13	Ground Rods (Washer)	24"	18	
14	Rope Twisted Poly	3/16"		
15	Rope Nylon	3/16"		
16	S-Hook		1	
17	Self-tapping Screw		4	
18	Cable Clamp		2	
19	Cable	1/8"	9.5'	
20	Turnbuckle		2	
21	Door Latch	2 Piece	1	
22	Clamp w/ Ring		8	
23	Clamp w/ Hook		8	
TARPS				
24	Top Tarp		1	
	Left Door Tarp		1	
	Right Door Tarp		1	
	Front Peak Tarp		1	
	Back Tarp		1	
	Carry Bag	90"	1	
	Carry Bag	48"	1	



MULTIPURPOSE GARAGE PART DESCRIPTION

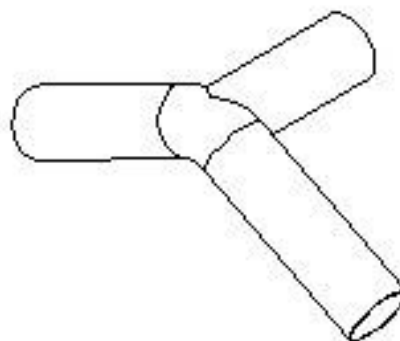
1 Frame Tube - 72"



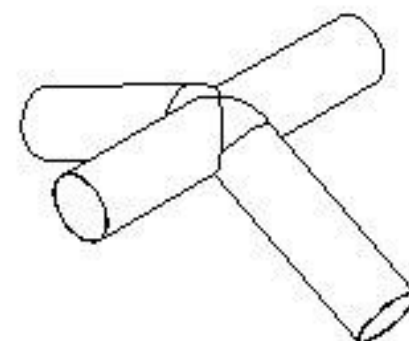
2 Frame Tube - 59.6"



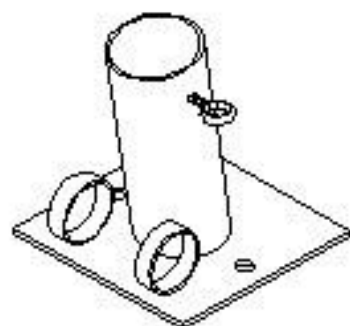
3 3 Way Connector



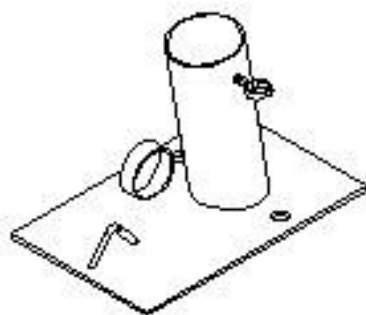
4 4 Way Connector



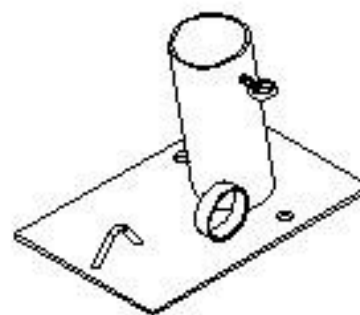
5 Center Baseplate



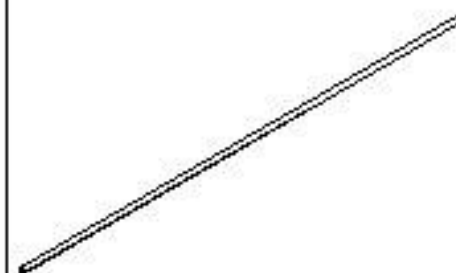
6 Corner Left Baseplate



7 Corner Right Baseplate

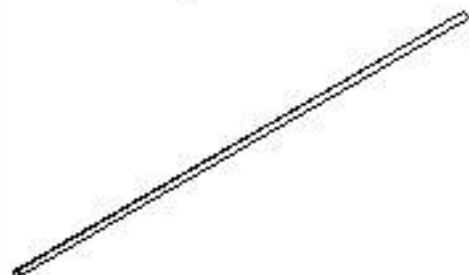


8 Awning Pole - 80"



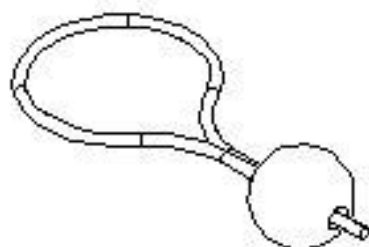
w/ Tip

9 Awning Pole - 80"

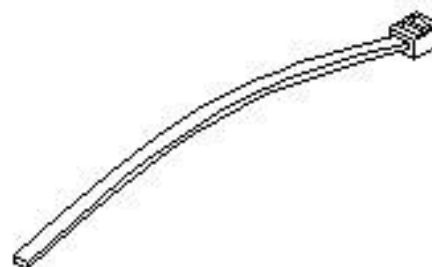


w/o Tip

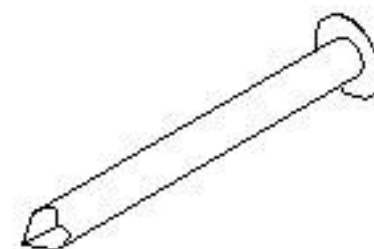
10 Ball Bungee - 8"



11 Cable Tie



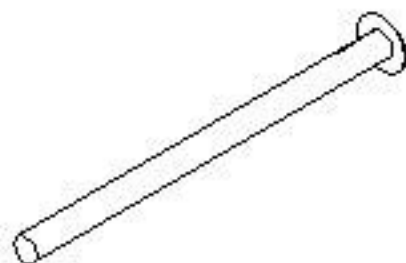
12 Nail Stake





MULTIPURPOSE GARAGE PART DESCRIPTION

13 Ground Rod (Washer)



14 Rope Twisted Poly



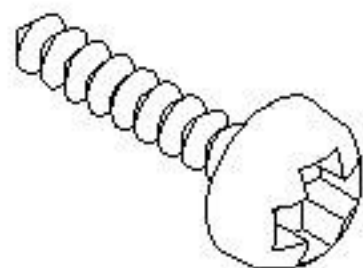
15 Rope Nylon



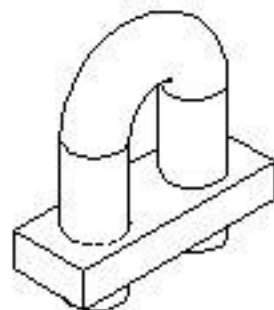
16 S-Hook



17 Screw



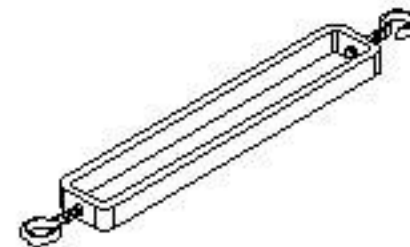
18 Cable Clamp



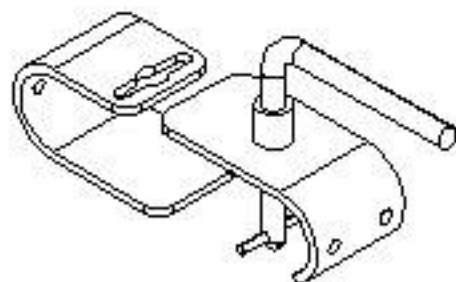
19 Cable



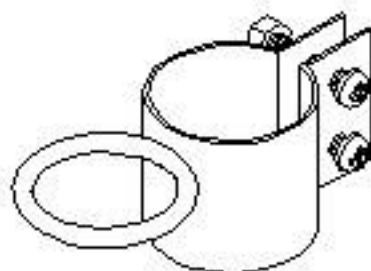
20 Tumbuckle



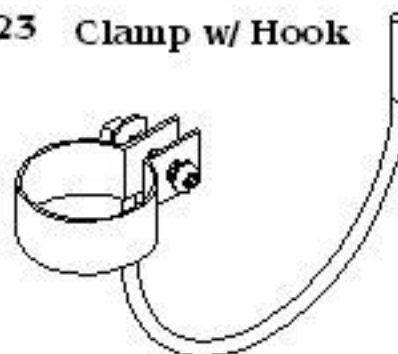
21 Door Latch



22 Clamp w/ Ring

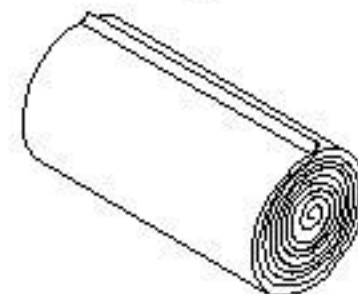


23 Clamp w/ Hook



clamp only in 20'

24 Tarp Set

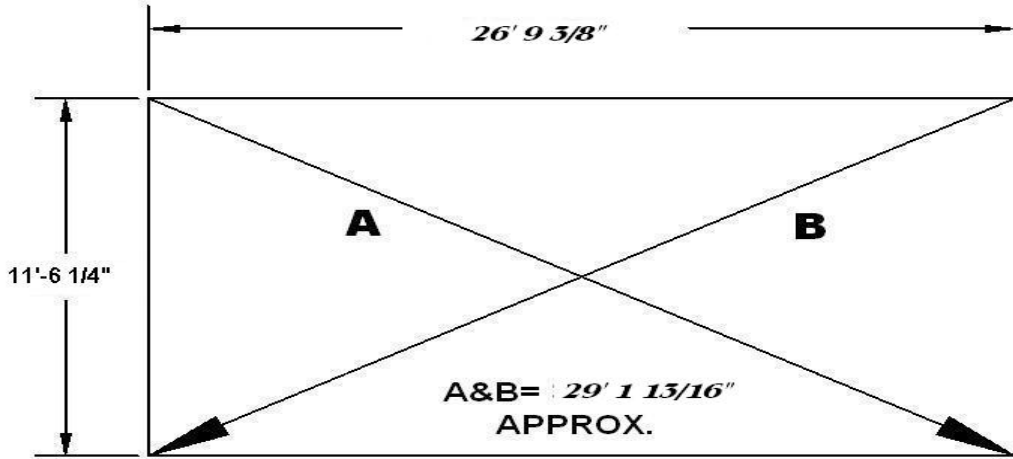


MULTI-PURPOSE INSTANT GARAGE

BUILDING INSTRUCTIONS

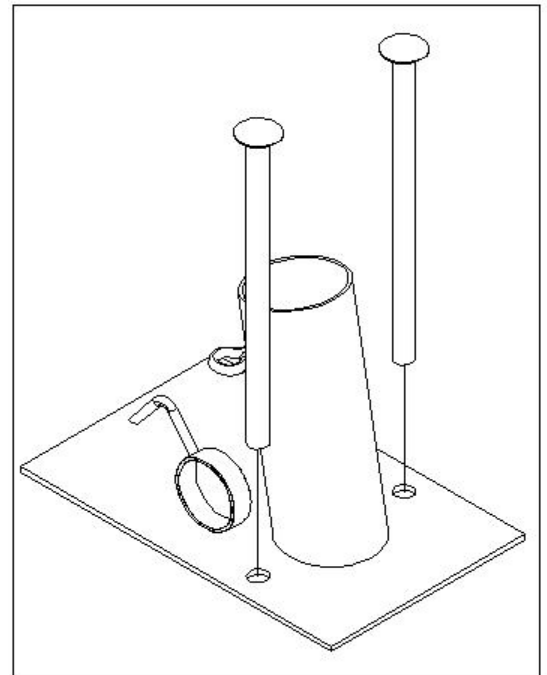
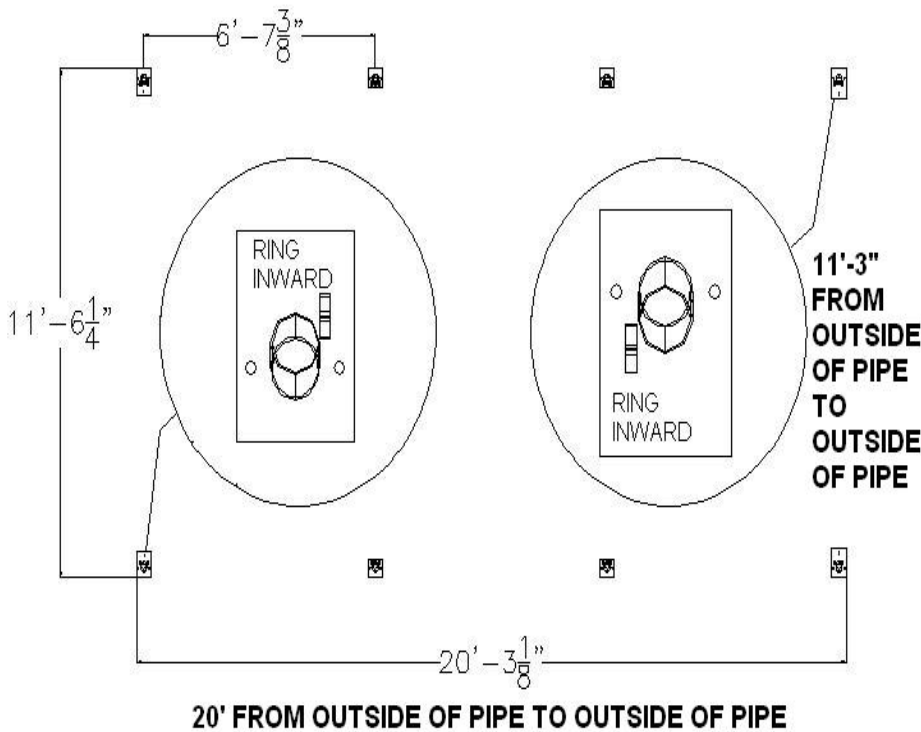
A. Preparing the Site

- 1) The ideal site should be reasonably flat or slightly elevated to facilitate water run off.
- 2) Square off the erection site by making sure distance A & B are the same.



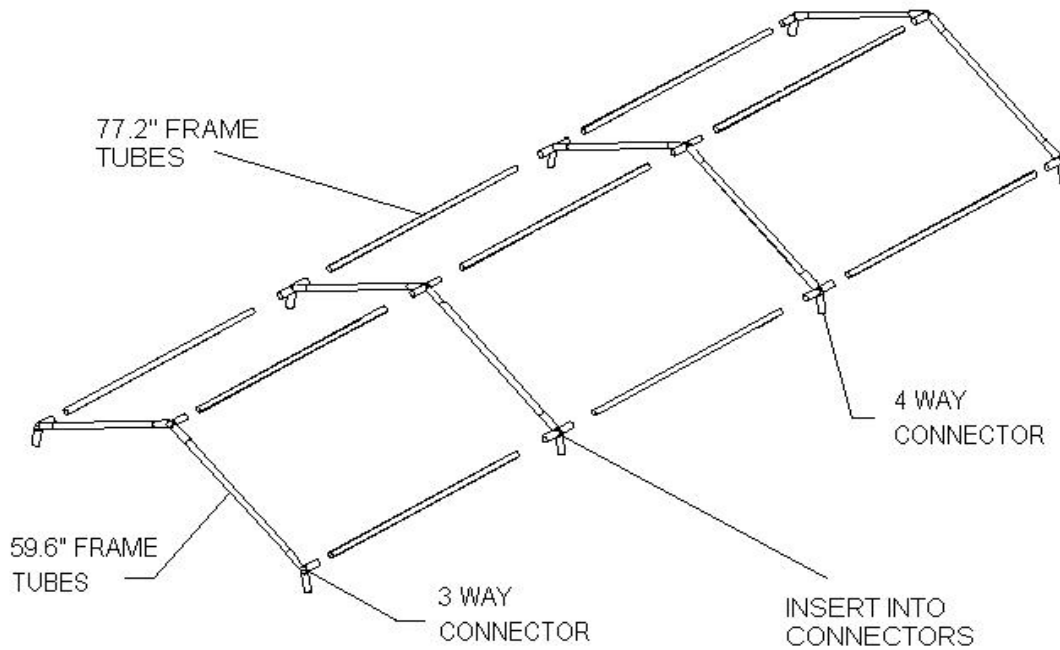
B. Layout the Baseplates

- 1) On a flat surface layout the corner baseplates. Corner baseplates are “left” and “rights”. Please ensure that they are placed as shown with the ring for awning poles facing inward to the building. Install the baseplates using the 16” ground stakes. **NOTE: MAKE SURE YOU ONLY INSTALL GROUND PEGS 1/4 OF THE WAY, SO THEY CAN BE MOVED LATER IF NEEDED.**

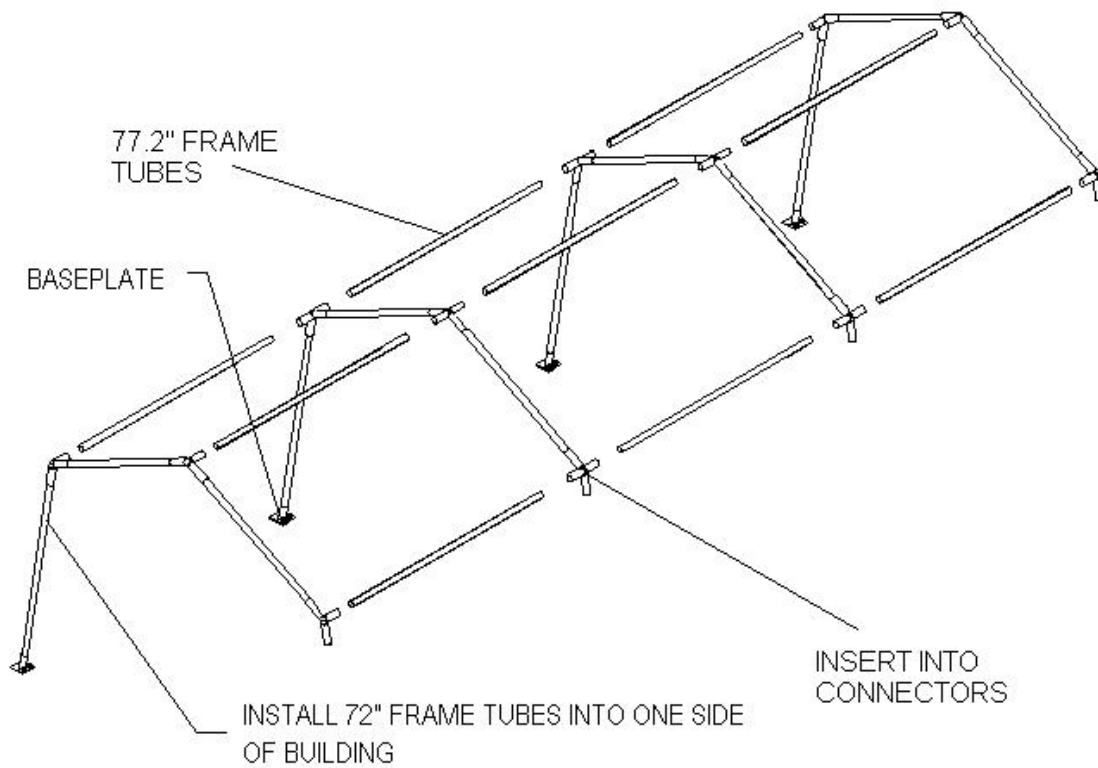


C. Assembling the Roof Section

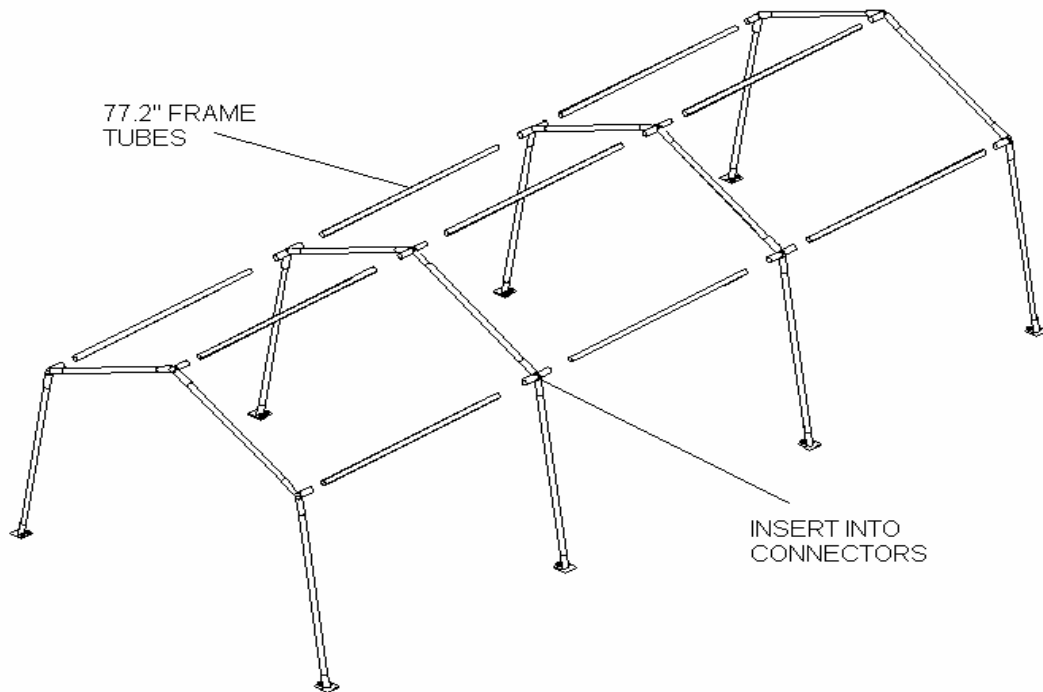
- 1) **Install the 3 way and 4 way connectors into the 59.6" and 77.2" frame tubes as shown below.**



- 2) **Next install the 77.2" frame tubes into one side as shown below.**

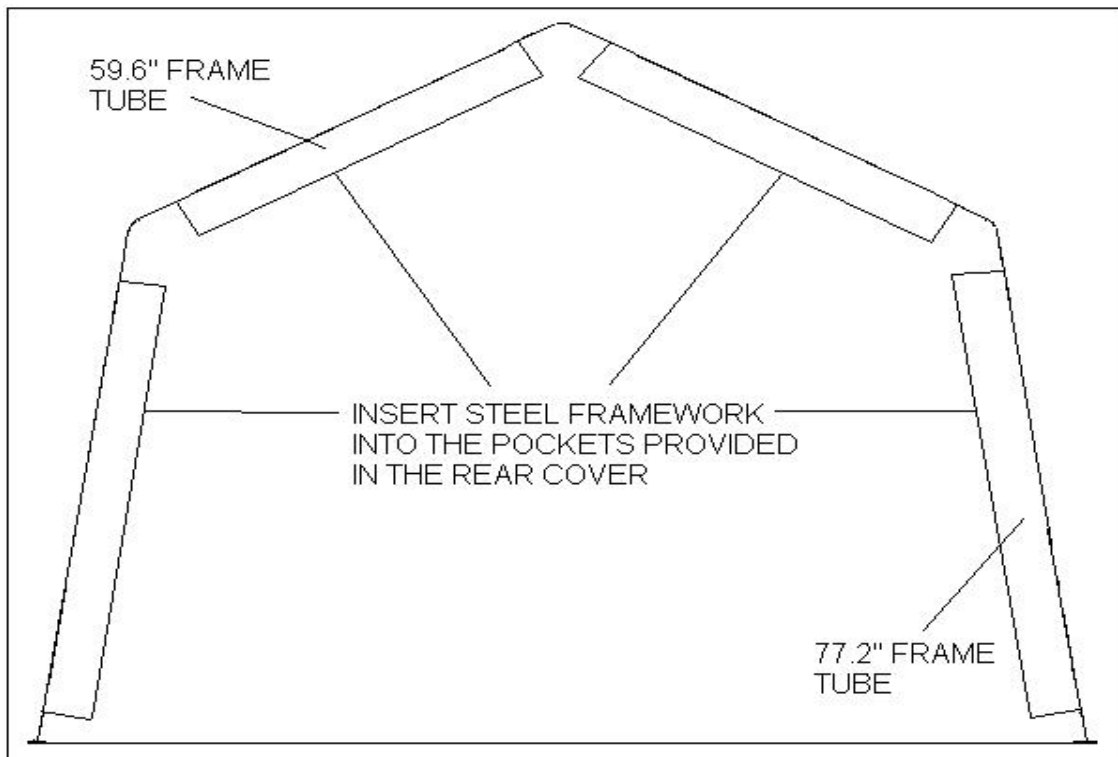


3) Next insert the 72" frame tubes into the other side to complete the frame assembly as shown below.



E. Installation of the Back Cover

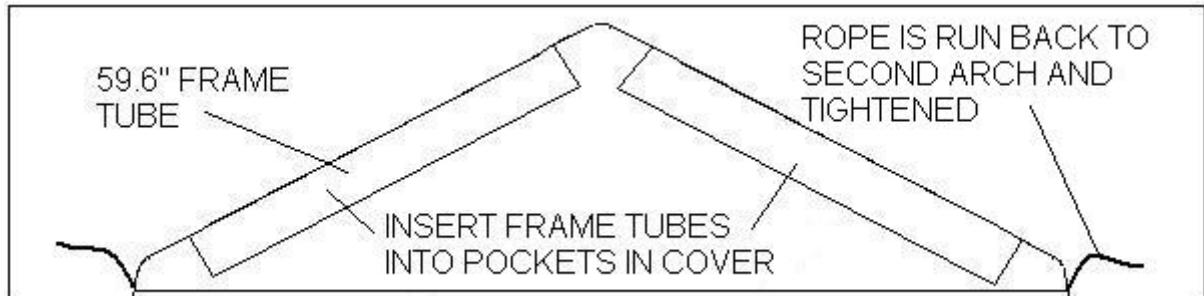
1) Remove the rear arch assembly (77.2" & 59.6" frame tubes) and insert the frame tubes into the built in pockets on the rear cover. Once the frame tubes have been inserted into the proper pockets reassemble the arch as shown below.



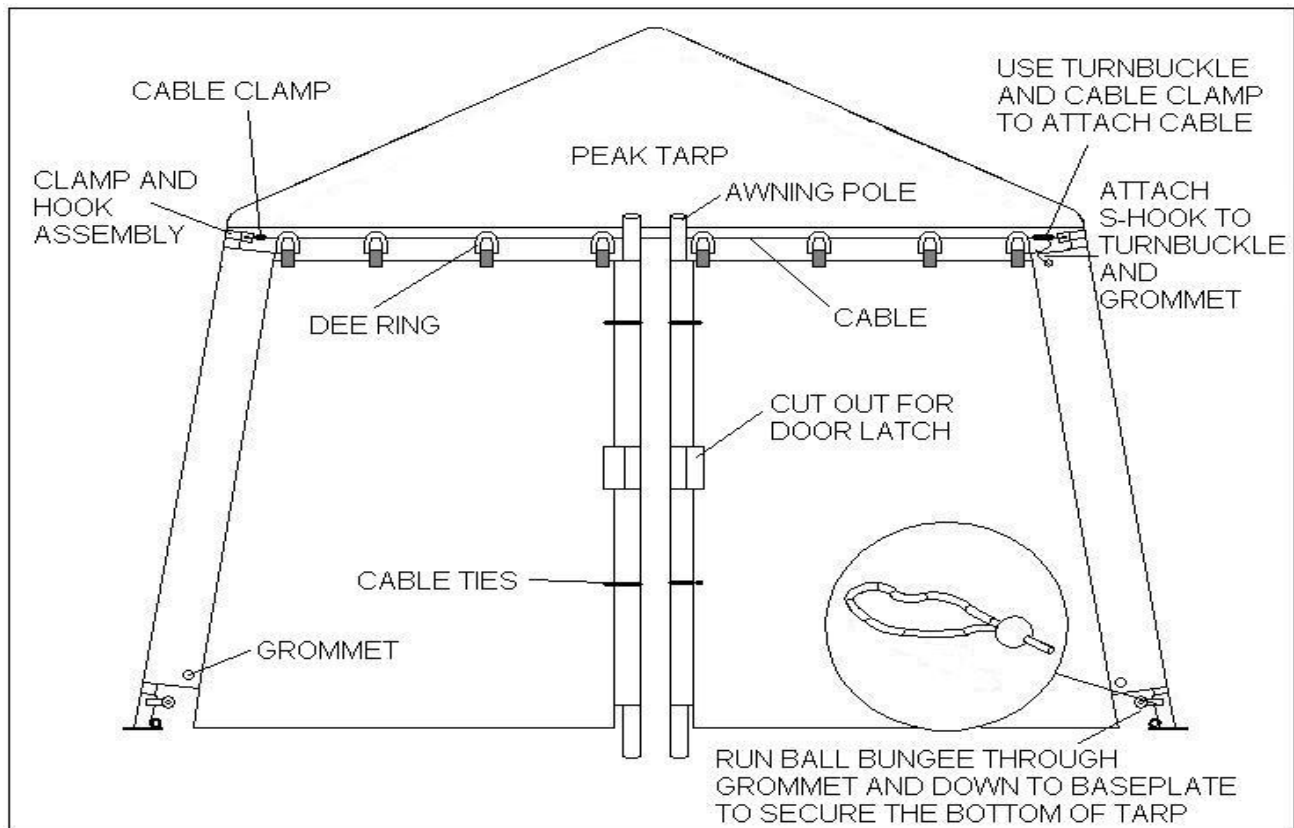
F. Installation of the Front Peak Cover and Door Tarp

- 1) Remove the 59.6" frame tubes out of the front arch and insert them into the pocket that are built into the peak cover.

NOTE: The nylon rope sewn into the bottom of the peak tarp is to be attached to the second arch in the assembly to keep the bottom of the peak tarp tight.

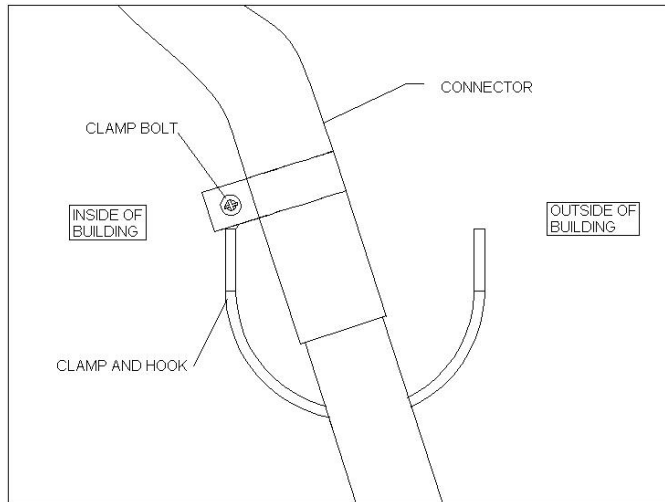


- 2) Remove the 77.2" frame tubes on the front arch assembly and insert them into the pockets built into the left and right door tarps then reassemble the frame tubes back onto the front arch assembly.
- 3) Reassemble the 59.6" frame tubes back onto the arch assembly as shown below.
- 4) Attach the cable to the clamp and hook assembly – make sure to thread the cable through the dee rings on the top of the door tarps as indicated below. Tighten the cable using the turnbuckle and the cable clamps.
- 5) Insert two awning poles (w/o tips) into the center (smaller) pockets then fasten the cable ties for support. Insert the ball bungee and the s hooks as shown below to secure door .



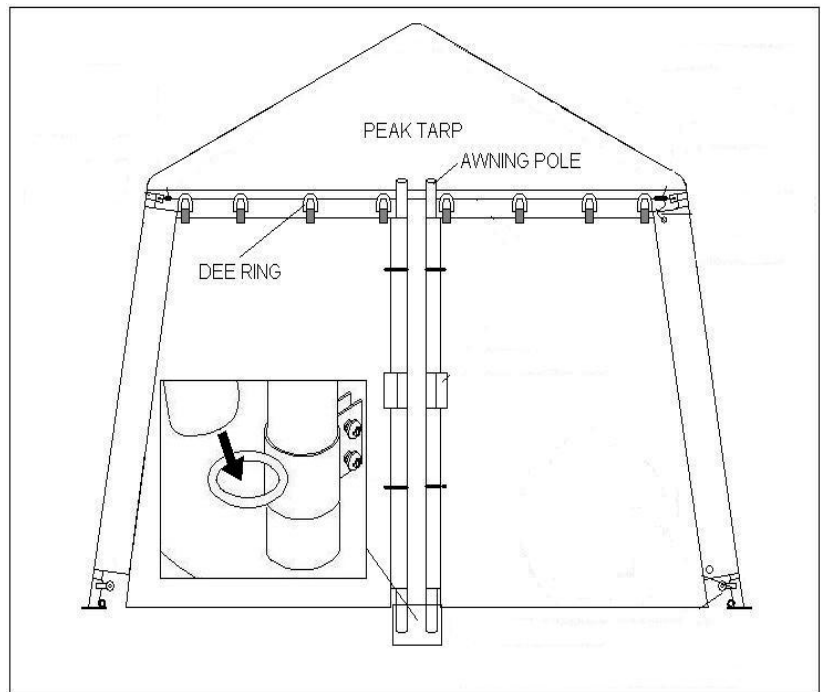
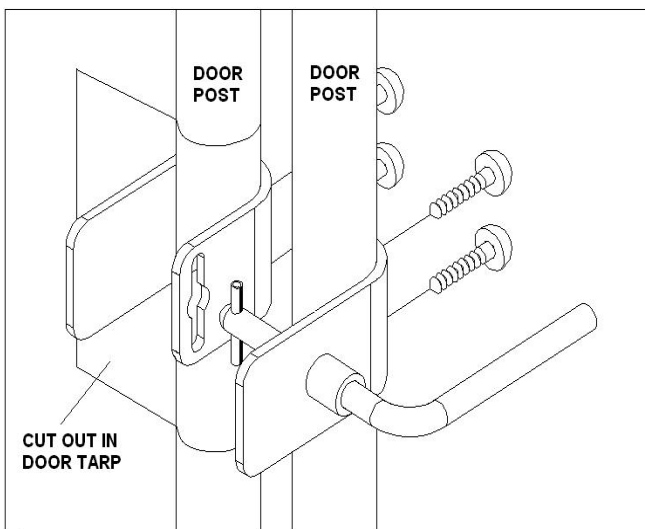
G. Installation of the Clamp and Hook Assembly

1)) Install the clamp with the hook attachment to all eight of the corner connectors as shown below. Make sure that the hook faces outward as it is used to hold the tarp if you wish to roll up the side of the top cover. Also make sure that you do not tighten the clamp bolt too tight because the clamp needs to swing freely.



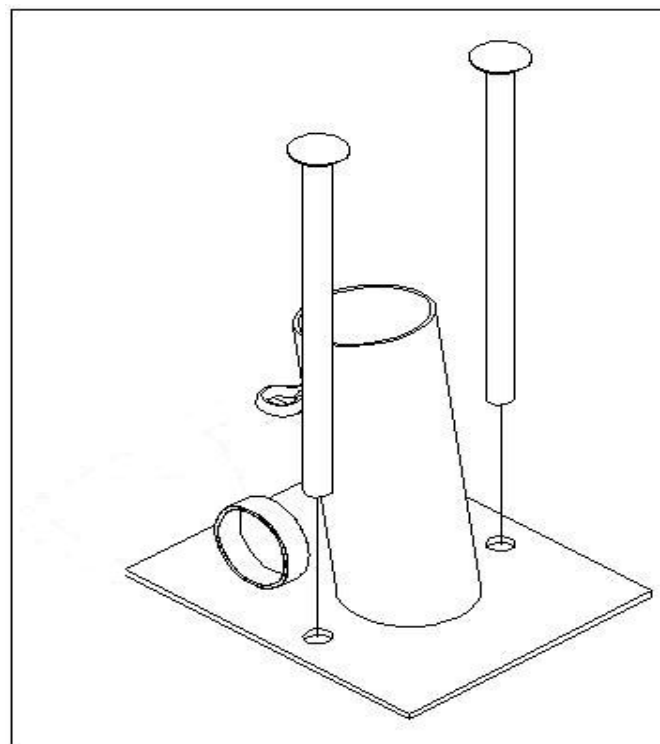
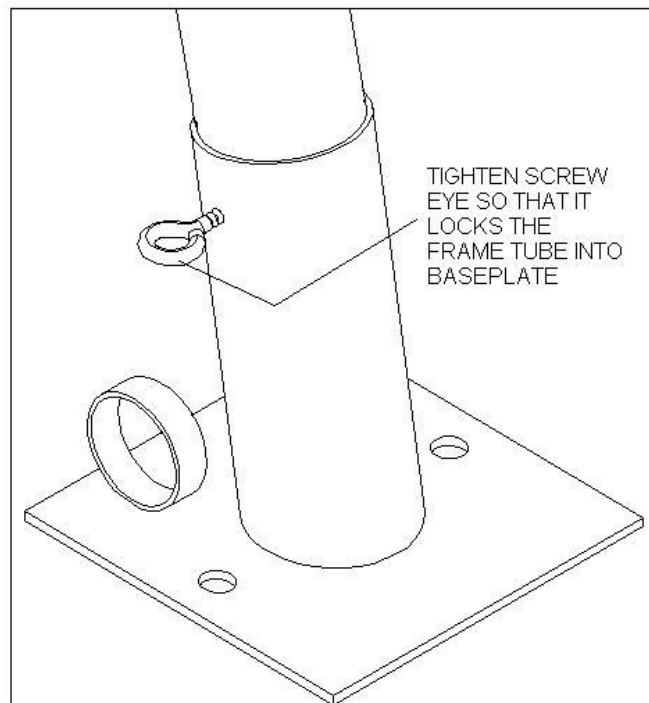
H. Installing the Door Latch and the Clamp w/ Ring Assemblies

1) Install the door latch onto the two awning poles that were inserted into the center pocket of the door tarps as shown below. Make sure to pre-drill holes before attaching door latch with self-tapping screws. Next install the clamp with ring assembly on the bottom of the door where the awning poles come out, then insert other awning pole through ring to secure as in picture on the below right.



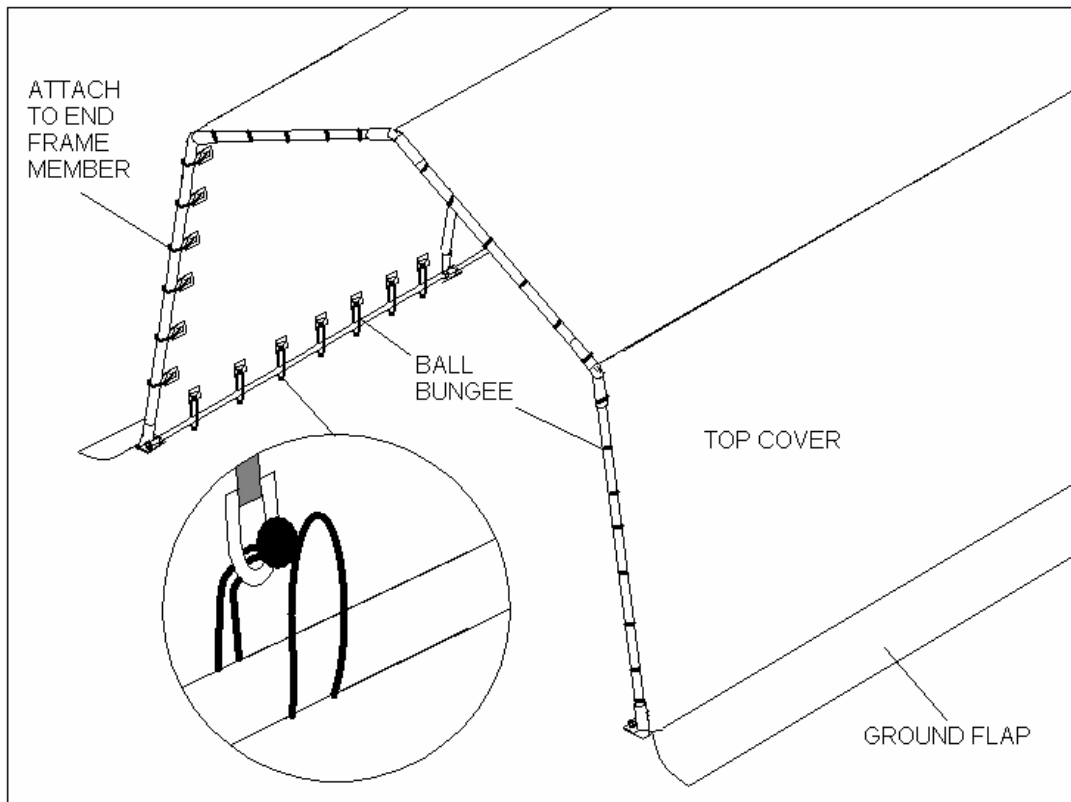
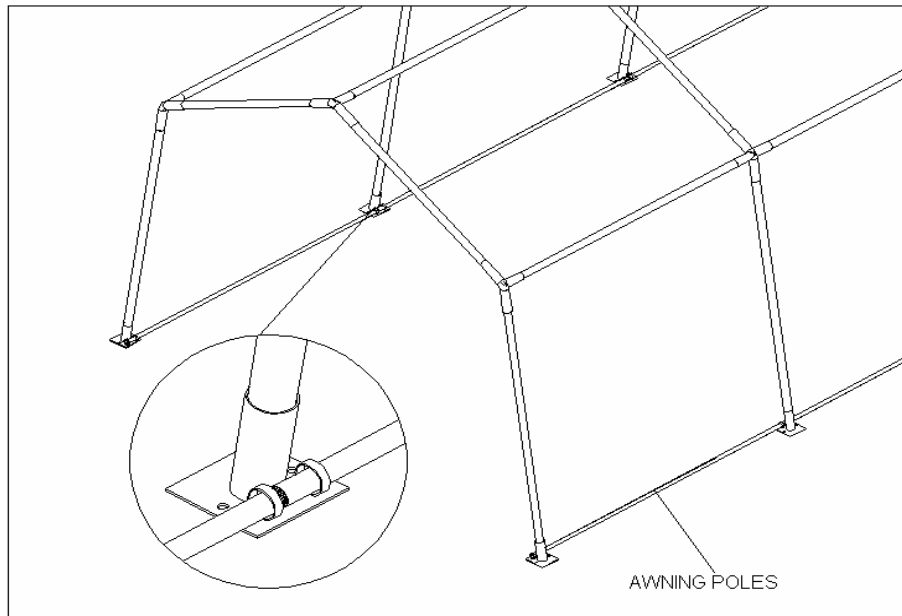
I. Secure the Frame Tubes to Baseplates

1)) **Tighten the locking mechanism on the baseplate in order to secure the frame tubes to the baseplate and lock them in place as shown below. Next hammer in all the ground pegs all the way in order to secure the building to the ground.**

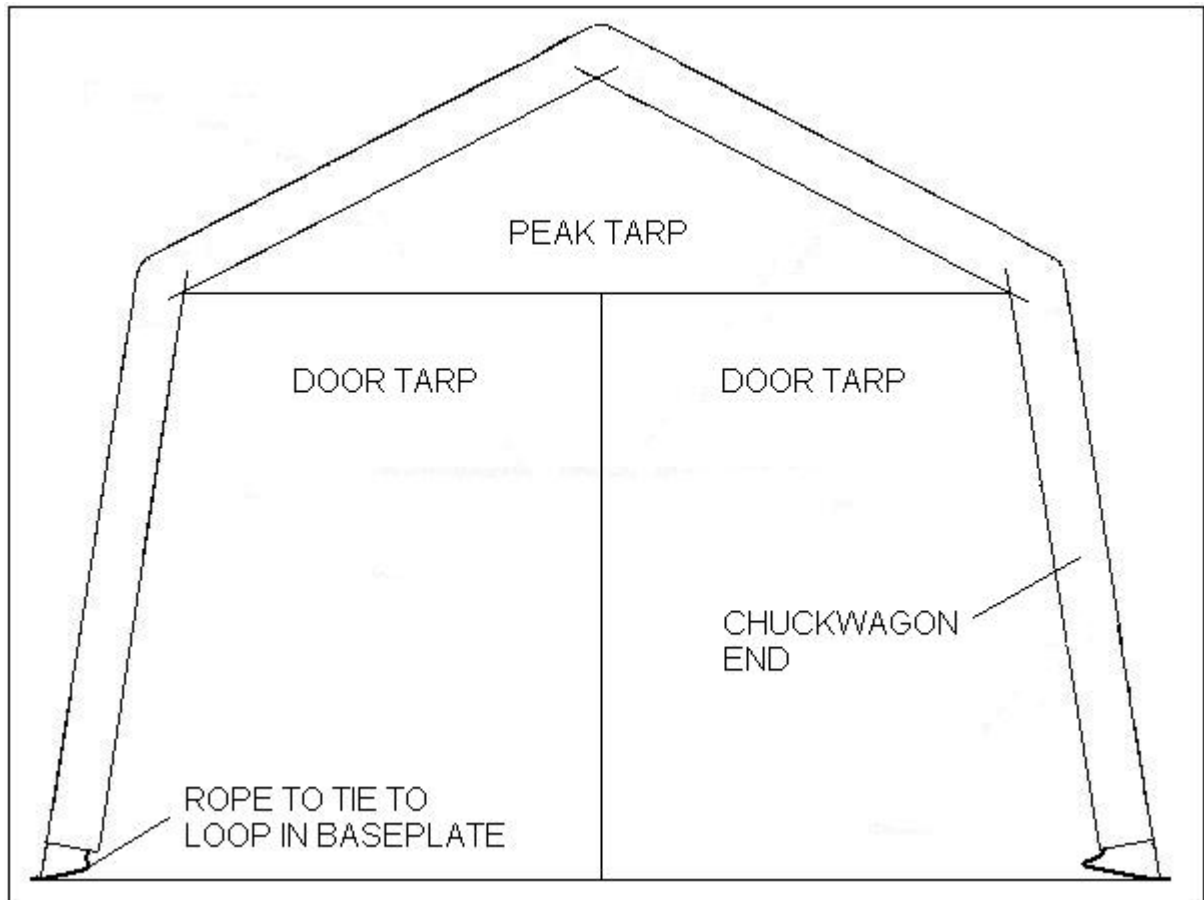


J. Installing the Top Cover

- 1) **Install the top cover on building making sure not to hook material on something sharp and tear it. NOTE: Top Cover is wider than it is long, so the longest dimension goes up and over the building.**
- 2) **Next insert the remaining awning poles into the rings that are built into the baseplates as shown in the below left picture.**
- 3) **Attach the cover to the awning poles using the ball bungees as shown in the below picture. (Front Cover has been removed in picture in order to display ball bungees) The top cover must also be attached to the end arch members using the ball bungees as shown below.**



4) Next tighten up the ends of the top cover with the rope that is sewn into the chuckwagon ends. Tie the rope to the small loop that is built into the corner baseplates as shown below.



5) To Avoid Wind Damage to Cover:

1. fasten all dee rings to the frame work of the building or to the awning poles on the bottom of the unit.
2. Weight the ground flaps (the tarp material on the outside of the building lying on the ground) preferably with dirt.
3. Keep the door shut on windy days.

6) To Convert to an Event Structure:

Release all ball bungees holding the bottom of the top cover. Remove awning poles from baseplate rings. Release the dee rings holding the sides of the top cover. Leave all dee rings attached that are securing the roof of the top cover. Detach the rope that is holding the chuckwagon ends in position. Extend the top cover outward to form an awning. Insert the awning poles into the grommets at the outer edge of tarp. Secure awning poles using the rope provided and nail the spikes into the ground.

4) Roll Up Sides:

Detach ball bungees from side wall of main cover and roll it upwards, then place the rolled tarp in the hooks provided.