

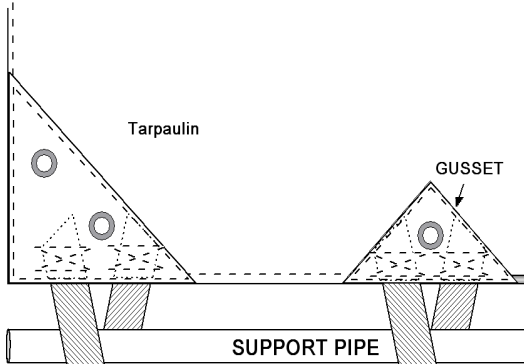


INLAND PLASTICS LTD.

MANUFACTURER AND DISTRIBUTOR

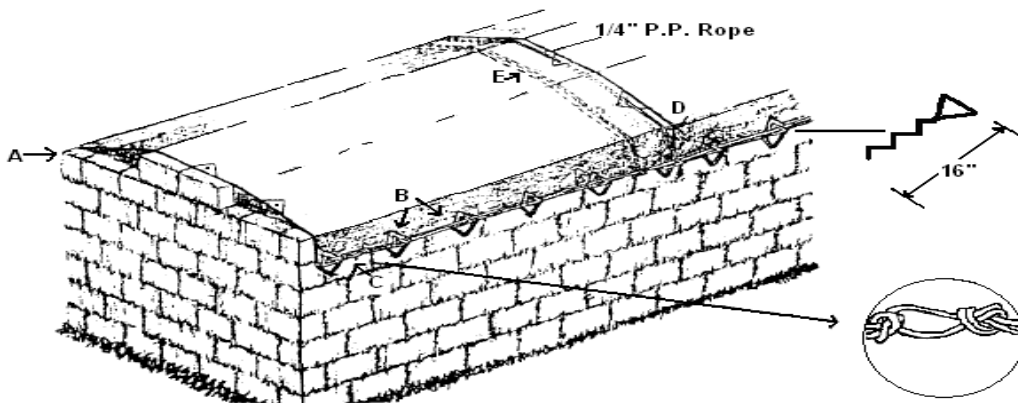
SOME SQUARE BALE COVER TIE DOWN METHODS

1) LOOP & SYSTEM (for uniform tension) – for pipe or 2"x2" wood hem insert PIPE CAN BE HELD DOWN WITH:



- Ropes to spiral pin handles with Ranchman's knot for quick tightening.
- Ropes under stack.
- Rubber tarp straps (to take up slack). Must be weather proof. Two on each corner.

2) SPIRAL PIN C/W ROPE LOCKING SYSTEM



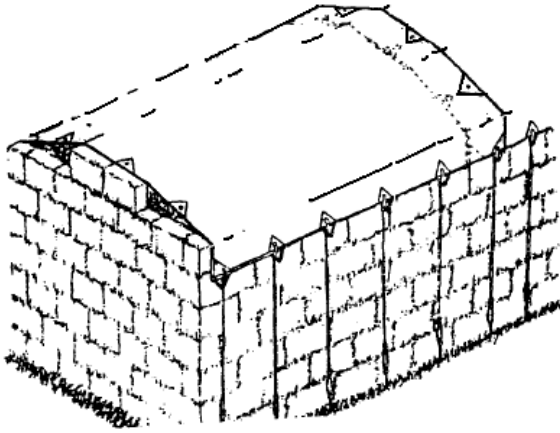
- Tarp must be set back from bale end about 1' so that spiral pins are embedded into solid portion of bale. This also lessens risk of wind getting under the tarp end.
- Spiral pins are placed in each eyelet along the side of the stack. Make sure the corner joints are absolutely secure. Additional twin tie down in four corners is good insurance.
- 1/4" Polypropylene rope is then tied to the corner pin and fed through the handles of the pins. Cinch the rope tight with a Ranchman's Hitch. This prevents the pins from turning as the wind jars the tarp. See #5.
- At tarp joins, the rope is fed through the eyes in the tarp and snugged down with a ranchman's hitch ON BOTH SIDES OF THE STACK (see (D) on diagram), make sure overlap is on downwind side). The end of the rope is tied to the spiral pin in the corner. Both the outer and inner tarp is held down at the overlap in this manner (E) (about 1' overlap minimum).

3) MINI RATCHET – 1000 lb

Used for connecting pipe in hem to ground stakes, or rope under stack to pipe insert.

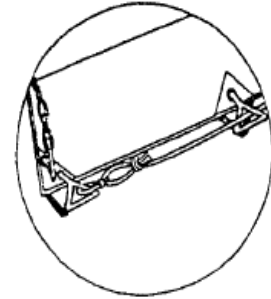


4) ROPE UNDER STACK



1) Ropes are placed under stack prior to staking at about 3' o/c.

2) Ropes are cinched to tarp eyelet with Ranchman's Hitch.

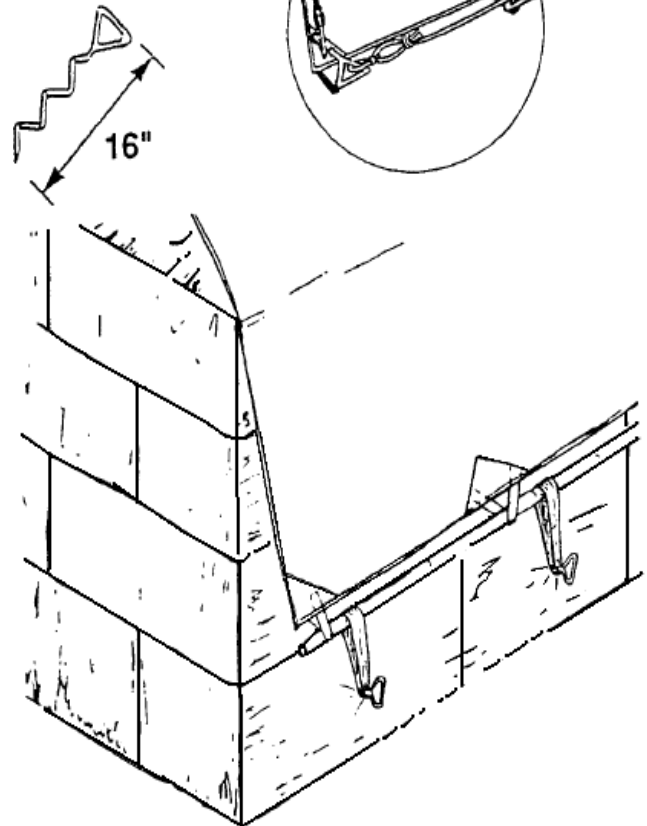


5) INNER TUBE LOOPS

- 1) This pin will not pull out or fall out!
- 2) Easy to place and tighten.
- 3) Available from INLAND PLASTICS LTD. in boxes of 50, at low prices.

6) INNER TUBE LOOPS

- 1) As hay settles, the tarp becomes loose causing wind damage or wear.
- 2) An inexpensive way to keep the tarp tight is accomplished with Inner Tube Loops (truck or car) on the hold down pipe at about 3' o/c.
- 3) The tube should be stretched to about double its unstressed length before hooking over the handle of a spiral pin.



TWO IMPORTANT THINGS TO REMEMBER WHEN SECURING HAY COVERS

- 1) ALWAYS HEAP OR ROUND THE TOP OF SQUARE BALE STACKS.
- 2) ALWAYS TIGHTEN AND RETIGHTEN AFTER THE STACK SETTLES (sometimes more than once)

INLAND PLASTICS Ltd.



HEAD OFFICE:
Box 2199
Drumheller, Alberta T0J 0Y0
PH: (403) 823-6252
FX : (403) 823-7310
Toll Free : 1-800-661-1062 Cdn
1-800-661-9487 USA

BRANCH OFFICE:
1645 Enterprise Road
Mississauga, ON L4W 4L4
PH : (905) 670-3000
FX: (905) 670-3003
1-800-387-7765

BRANCH OFFICE:
842-56 St E.
Saskatoon, SK S7K 5Y6
PH: (306) 931-1122
FX: (306)934-7078

BRANCH OFFICE:
Unit 2
27533 - 50th Ave
Langley, BC V4W 0A2
PH: (604) 856-8277
FX: (604) 856-8272
1-800-997-6299

BRANCH OFFICE:
1310 E. Birch Street
Kankakee, IL 60901
PH: (815) 933-3500
FX: (815) 933-4500
1-800-387-7765